

## CLASS 3 SYSTEMS NOT FOR YOU? SWITCH-N-GO® HAS YOU COVERED!

We've been manufacturing hoists and interchangeable truck bodies for Class 4-7 chassis since 2002



- Electric and full hydraulic systems available
- 30+ different interchangeable truck bodies
- 10-14 ton dumping capacities

For over two decades, Switch-N-Go® has been providing solutions to businesses that want a work truck that can do more.

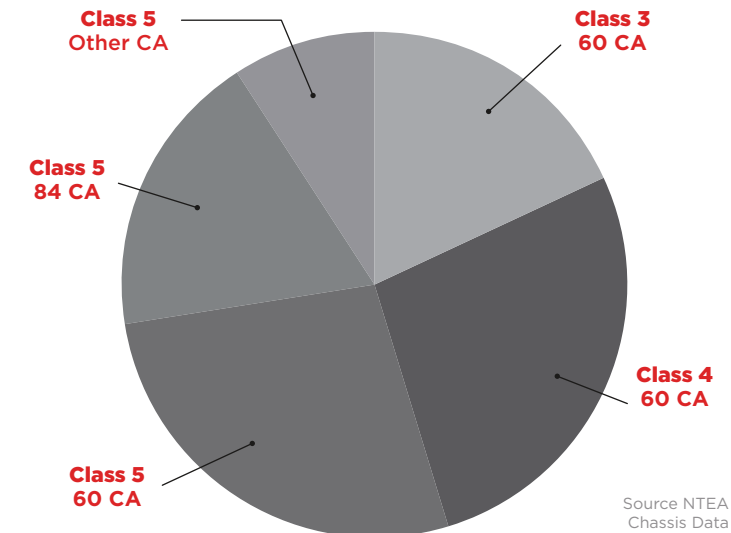
Our interchangeable truck body solution has advantages over hooklift and permanent mount units. With hoist systems available in electric-over-hydraulic (E-Series) and full hydraulic (H-Series), Switch-N-Go® offers endless opportunities to maximize investment and optimize the work day.

Switch-N-Go® owners get the power of a full fleet in just one truck. This versatility allows owners to build their ideal work truck by matching the system they need with the chassis they want. The best part? The system is bolt-on, allowing you to transfer between chassis. Convert your permanent mount system to Switch-N-Go® and when you're ready for a new truck, the system can come with you.



888-311-0867 • info@switchngo.com

## 2024 AVAILABLE TRUCK CHASSIS



The unpredictable availability of 84 CA Class 5 cab/chassis trucks has led to significant challenges finding vehicles to upfit Switch-N-Go®'s historically most prevalent 11' hoist system. These headwinds have allowed us to reevaluate the chassis market and acknowledge that over 70% of dump bodies are built upon 60" CA trucks. That knowledge has allowed us to expand our classic system to support 60" CA Class 4/5 trucks and are now launching a 60" CA Class 3 system specially designed to maximize the capabilities of that platform. The addition of the 60" CA family of products to the Switch-N-Go® line-up has more than doubled the number vehicles available for our upfitters to build upon while significantly expanding the value we can create for our target customer segments.

### WHY CHOOSE A SWITCH-N-GO SYSTEM?

- Interchangeable truck bodies
- Ground level loading
- Change truck with the weather (trucks don't sit idle during off-seasons)
- More efficient use of your chassis
- No CDL required

5119-2402

INTRODUCING

# THE FIRST CLASS 3 INTERCHANGEABLE TRUCK BODY SYSTEM



Subsidiary of Federal Signal Corporation

Lightweight construction to help maximize payload

Low profile design

\* Patents Pending

**FITS CLASS 3 FORD,  
RAM, AND CHEVY  
60" CA STRAIGHT  
FRAME CHASSIS**



Subsidiary of Federal Signal Corporation

# REVOLUTIONIZING THE INDUSTRY

The brand-new Class 3 System unveiled at Work Truck Week 2024, is not just a smaller version of our standard interchangeable truck system.

We engineered the Class 3 system to be lighter, lower to the ground for better center of gravity safety, faster to operate with less rear overhang for improved weight distribution among other innovations. We built upon our existing patented products and 20 years in the industry to create new technologies specific to this underutilized class of trucks.

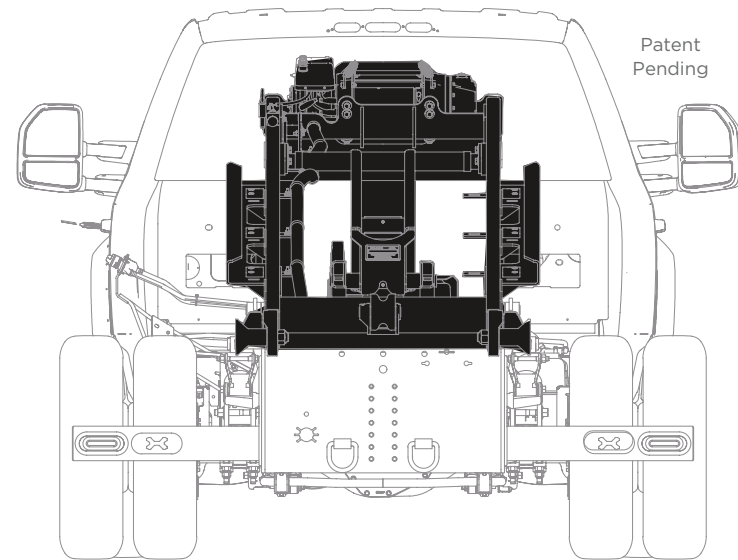
**Consolidated body offering but growing every day**

- 1 LOWER CENTER OF GRAVITY**  
Increased stability along with load/truck control, especially while turning
- 2 NEW REAR BODY HOLD DOWNS**  
Patent pending new clamp design specifically engineered for Class 3 applications
- 3 NEW FRONT BODY LOCK**  
Designed for smooth operation with no need to stow the pin

- 4 LIGHTER**  
Over 200 lbs lighter than the existing 9' system for Class 5
- 5 HOIST RAILS, HINGES, AND CLAMPS**  
Updated to balance safe and effective operations while maximizing payload capacity for Class 3 vehicles

## HOIST SYSTEM

Available in electric-over-hydraulic (E-Series), the Switch-N-Go® hoist systems help you work safely at ground level by unloading bodies to the ground.



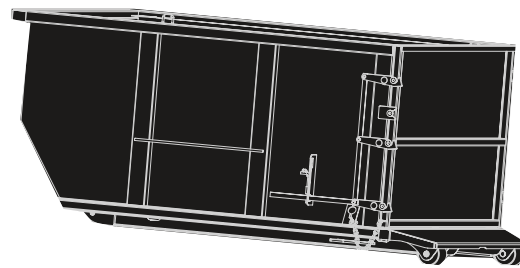
Electric powered hydraulic hoist system for Class 3 workloads. Ideal for Class 3 chassis cab vehicles (not pickup bed delete) with a 60" CA and GVWR of 13,500-14,500 lbs. The system is designed to handle 6 fully loaded winch draws per day.

## DROP BOX MDRB-839A-SS

This multi-functional body supports a multitude of jobs from carrying bulk mulch to a jobsite, transporting equipment, and can even act as a dump body.

### FEATURES

- Load-forward design for higher capacity hauling
- Apron for dumping ease
- 39" side height

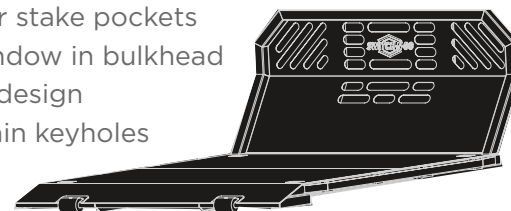


## FLATBED BODY

The Switch-N-Go® Flatbed is the ideal equipment hauler with ground level loading and large payload capacity.

### FEATURES

- Low profile 4" steel ground rollers
- 24" on center stake pockets
- Laser cut window in bulkhead
- Lightweight design
- 4-Corner chain keyholes

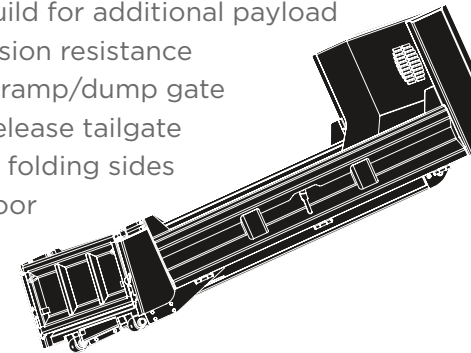


## ALUMINUM DUMP BODY

Lightest Body ever for Switch-N-Go® with 9' floor, folding sides, and 2-way tailgate.

### FEATURES

- Lightweight build for additional payload
- Superior corrosion resistance
- Double acting ramp/dump gate
- Manual front release tailgate
- Double/walled folding sides
- Single piece floor

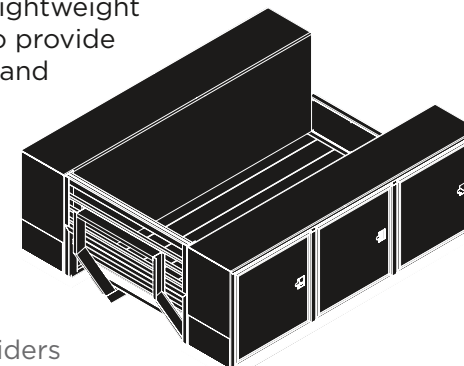


## SERVICE BODY

Manufactured in a lightweight aluminum design to provide additional payload and superior corrosion resistance.

### FEATURES

- Storage compartments have adjustable shelves and dividers
- Flatbed-style design for no interference with truck fenders or toolboxes



## WORKREADY™ SUBFRAME

Engineered to increase vehicle payload and operator visibility while decreasing corrosion from material build-up complete with retractable deck legs that allow for single person operation.

### FEATURES

- High quality zinc prime & powder coated finish
- Guaranteed compatible with Switch-N-Go® hoist
- D-Rings in each corner to secure equipment
- Lightweight retractable legs
- Expanded metal side deck
- Simple bulkhead for visibility



**CLASS 3 SYSTEM AVAILABLE Q3 2024**